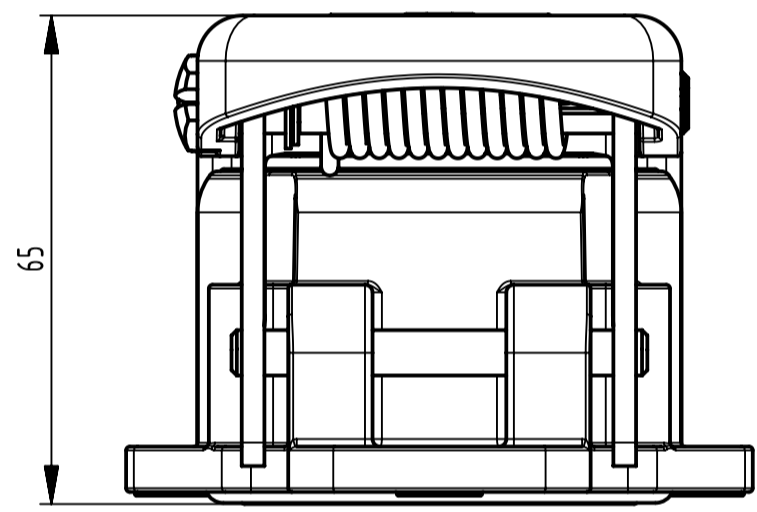
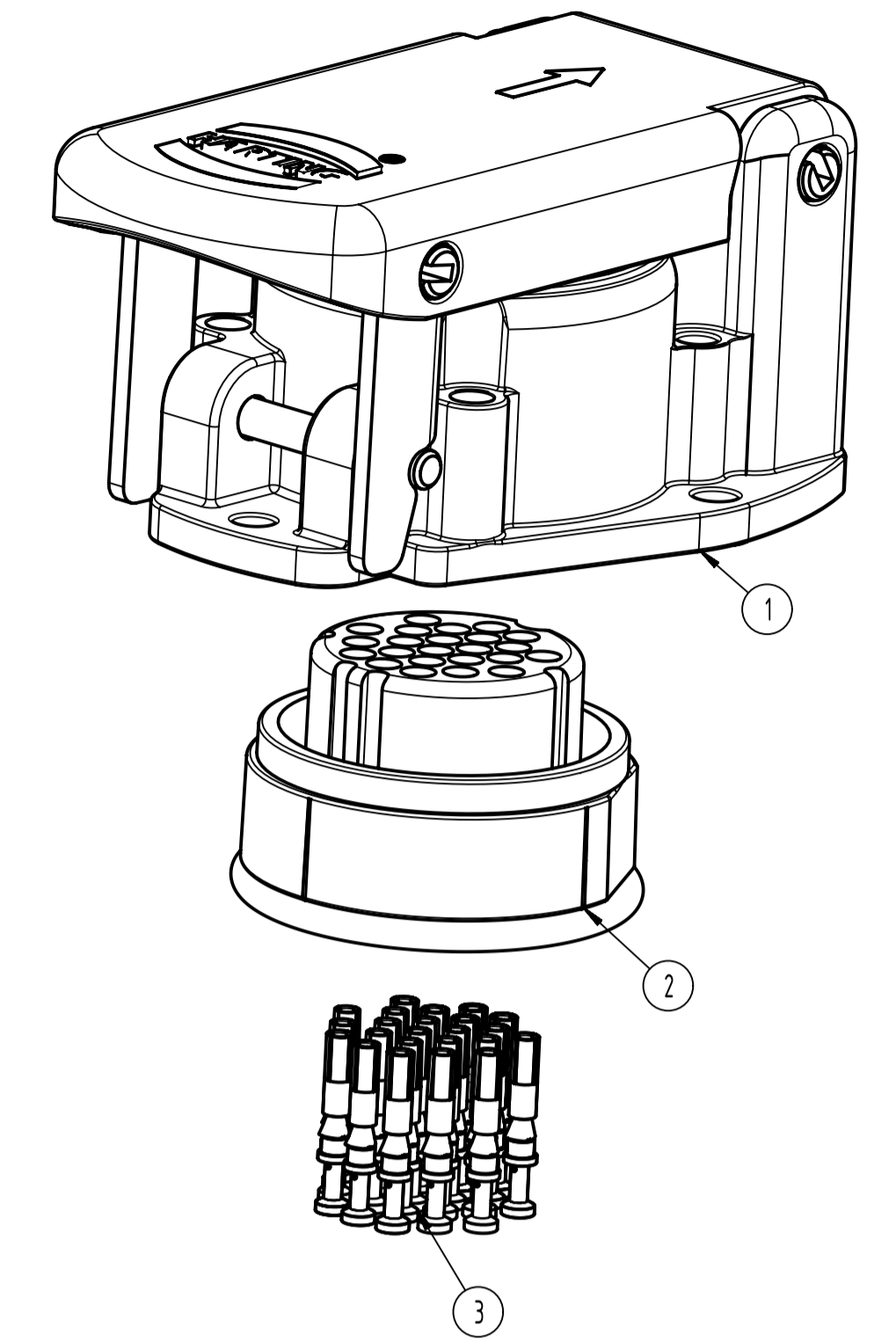
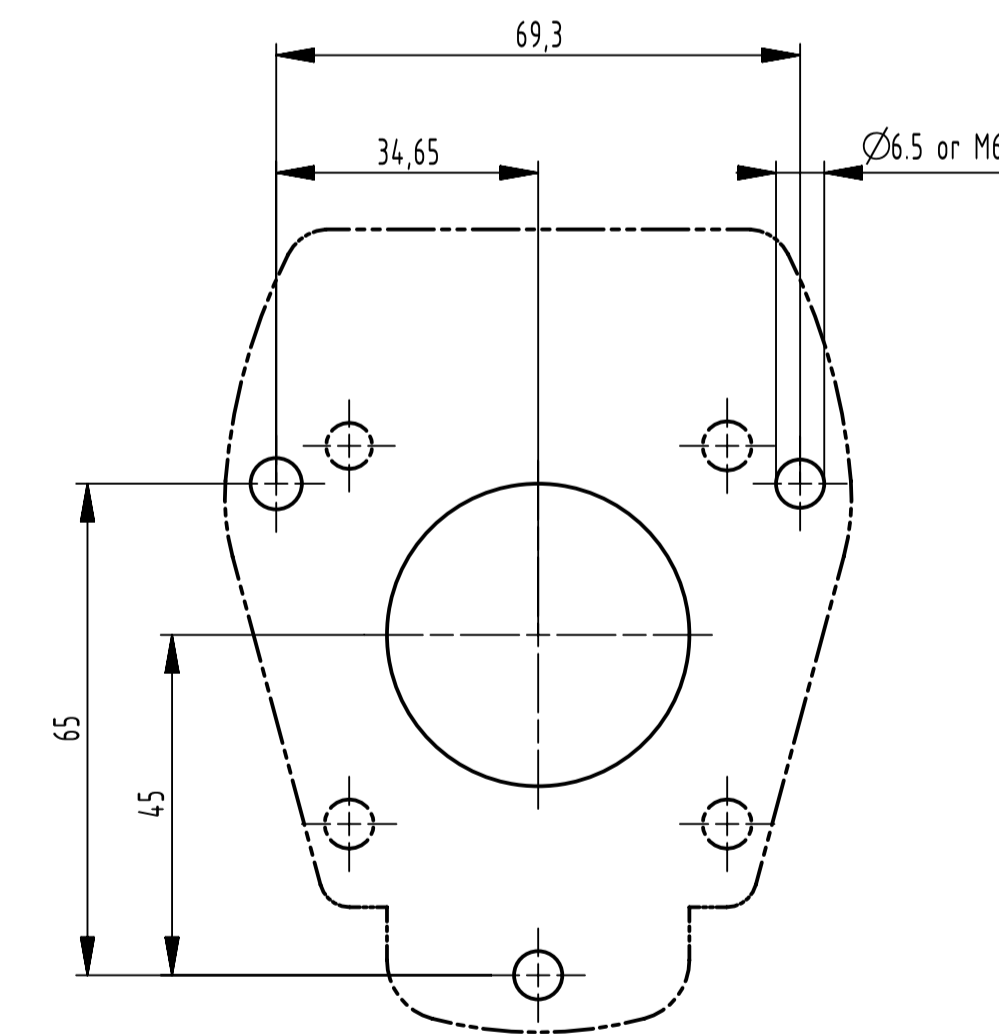
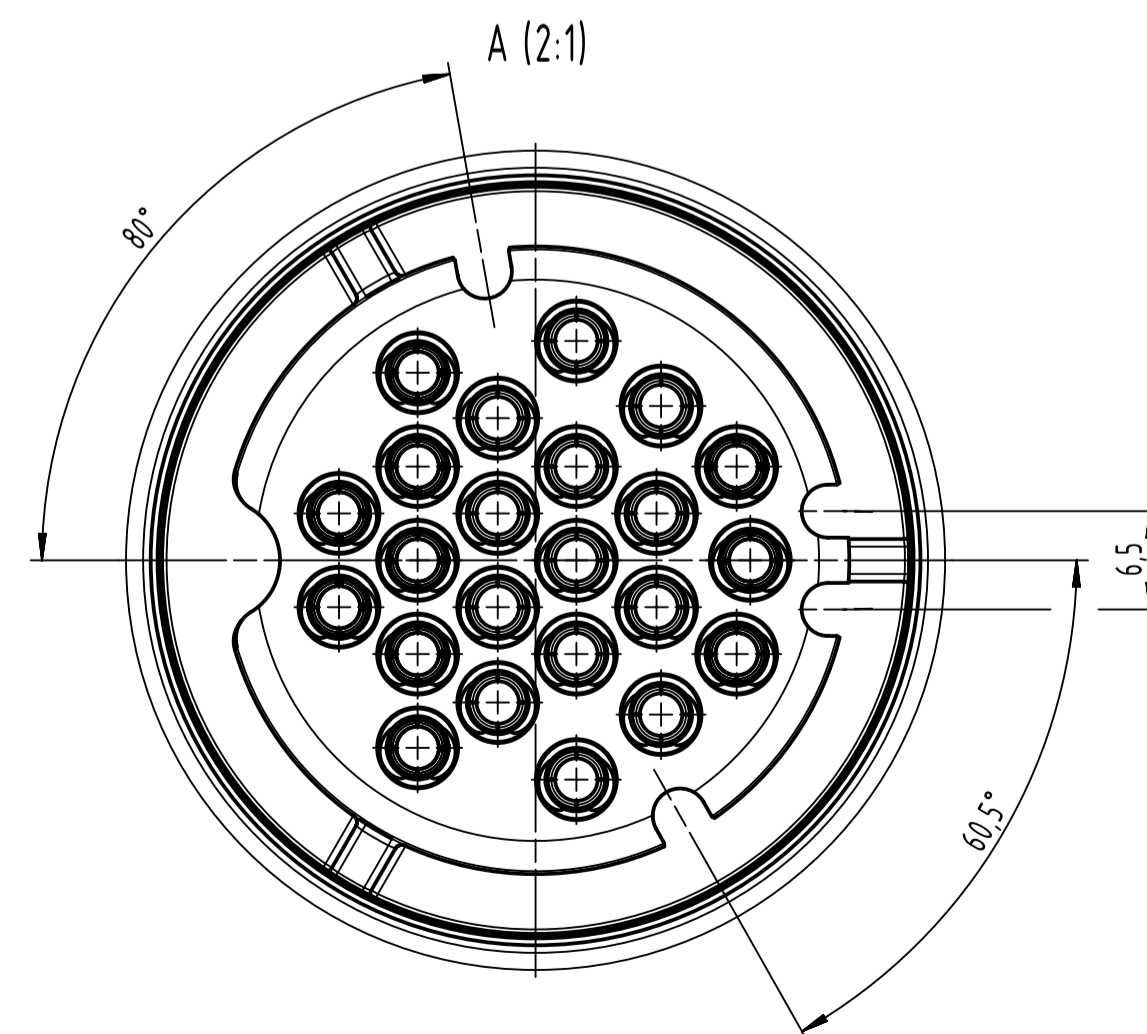
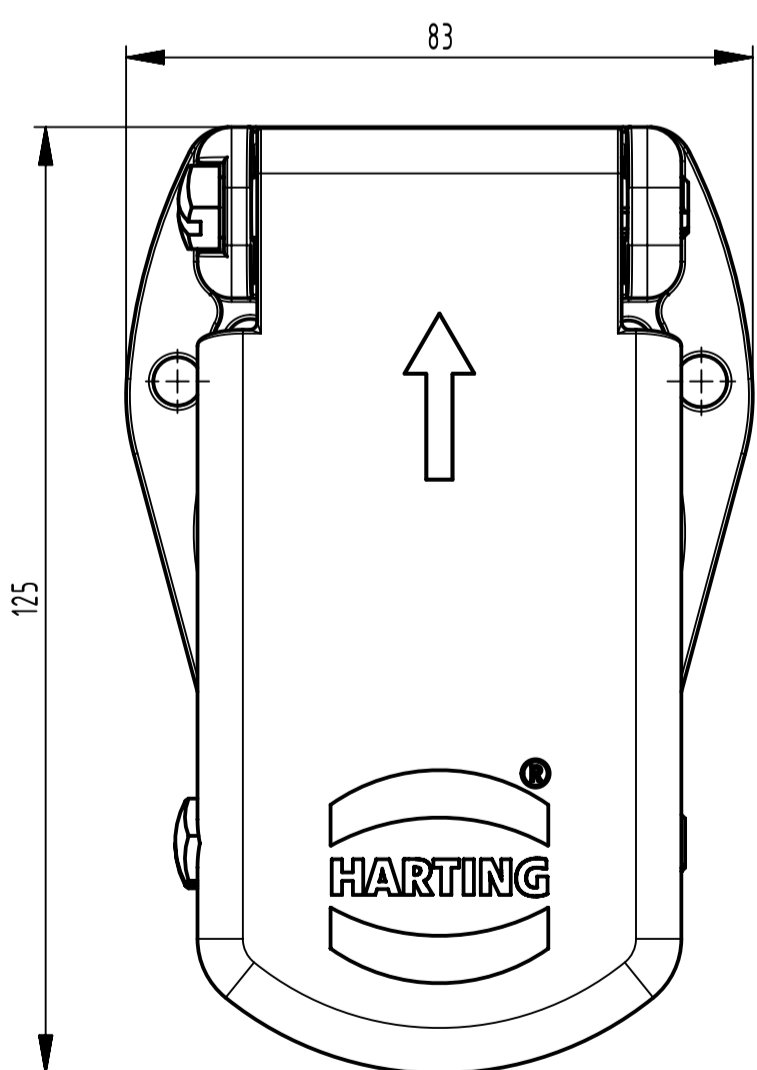
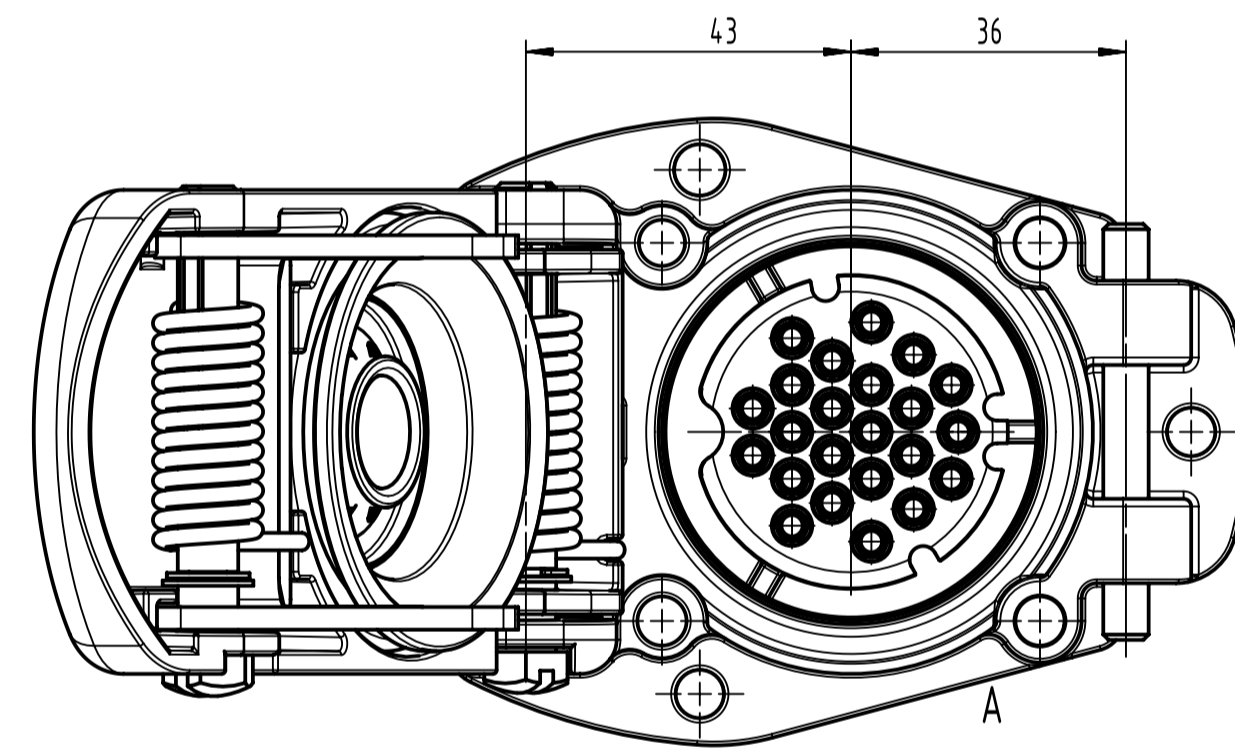


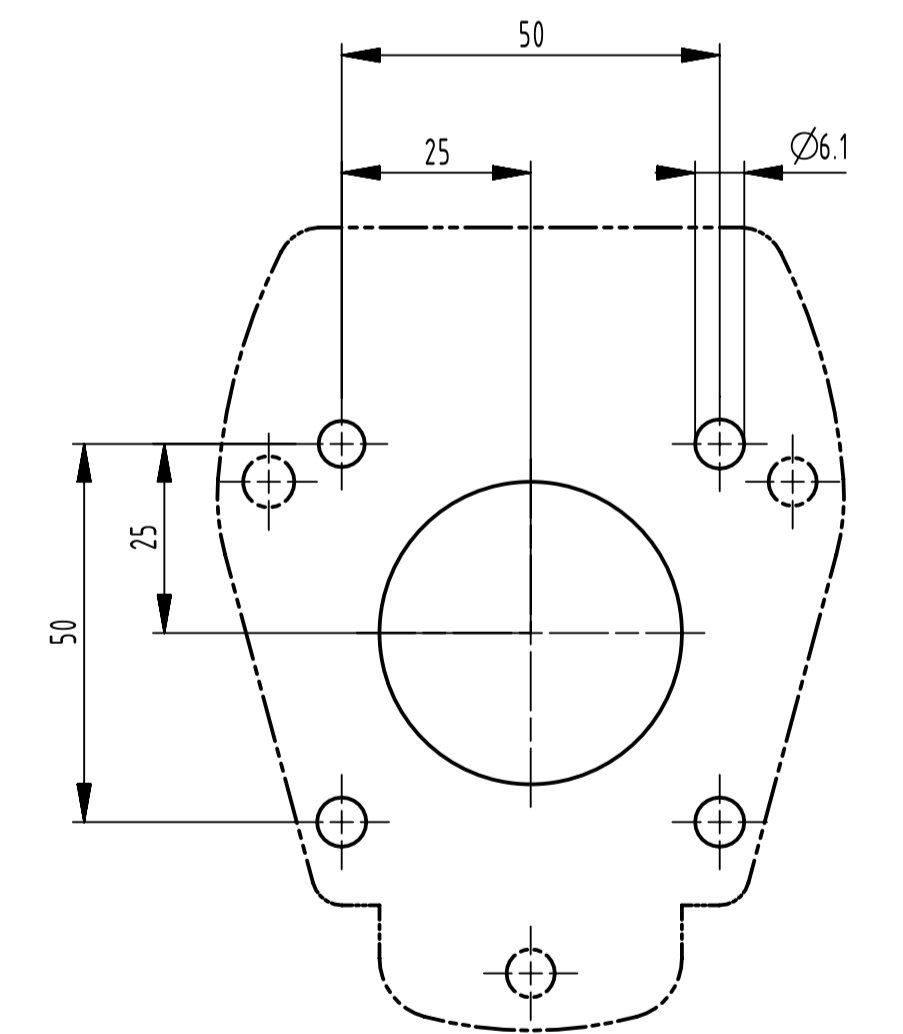
Lid at opened condition



Lid at closed condition



3 hole mounting



4 hole mounting

Refer data sheet for product specification

| S. No. | Part number | Part description | UOM | QTY/ ASSY |
|--------|----------------|---|-----|--------------|
| 1 | 09 58 001 0303 | UIC558-HBM/CM-22PIN | PC | 1 |
| 2 | 09 58 022 3101 | UIC558-22PIN-FI-CRT | PC | 1 |
| 3 | 09 58 000 6205 | UIC558-FC-CRT-0.75-1.0 mm ² /18 AWG-AG | PC | 13 |

| | | | | |
|------------------------------|--|---|--------------------------|--|
| | All Dimensions in mm Original Size DIN A1 | Scale 1:1 | Free size tol. | Ref. Sub. |
| | All rights reserved | Created by 404742 | Inspected by 402933 | Standarisaton ROEBEN |
| Department EL PD | | Date 2022-01-24 | State Final Release | |
| HARTING D-32339 Espelkamp | | Title UIC 558 22PIN SOCKET KIT-FC-AG | | Doc-Key / ECM-Nr. 100997965/UGD/000/A 1000020243 |
| | | Type TB | Number 09 58 022 1023 | Rev A Page 1/1 |